

C6

**29.5" WIDTH
6940 LBS CAPACITY
52' LIFTING HEIGHT
PICK AND CARRY OPTION**

Max lift height with hydraulic telescopic Jib
Max lift height without jib

52'
38'

Max capacity

6940 lbs @ 6' radius
5280 lbs @ 10' radius
2200 lbs @ 20' radius
1122 lbs @ 30' radius

Horizontal outreach

without jib 1157 lbs @ 33' out
with jib 465 lbs @ 45' out

Available configurations

Yanmar diesel water cooled
Add-on 4 hp electric motor

Minimum size in travel position

29.5"w x 105"l x 67"h

Maximum width with extended carriage

42"

Travel speed

Infinite proportional remote
+ 2 RPM speed. Up to 1,88 MPH

Operational weight without jib

5840 lbs

Operational weight with jib

6170 lbs

Counterweight

Variable deployment upon load + self unloading

Maximal footprint on outriggers

165" x 173"

Minimal footprint on outriggers

32" x 177"

Outriggers set-up possibilities

With "infinite positioning"

7200 Possibilities

With standard outriggers

48 Possibilities

Outriggers set up standard

3 positions each: 0°/45°/90°

Outriggers set up optional

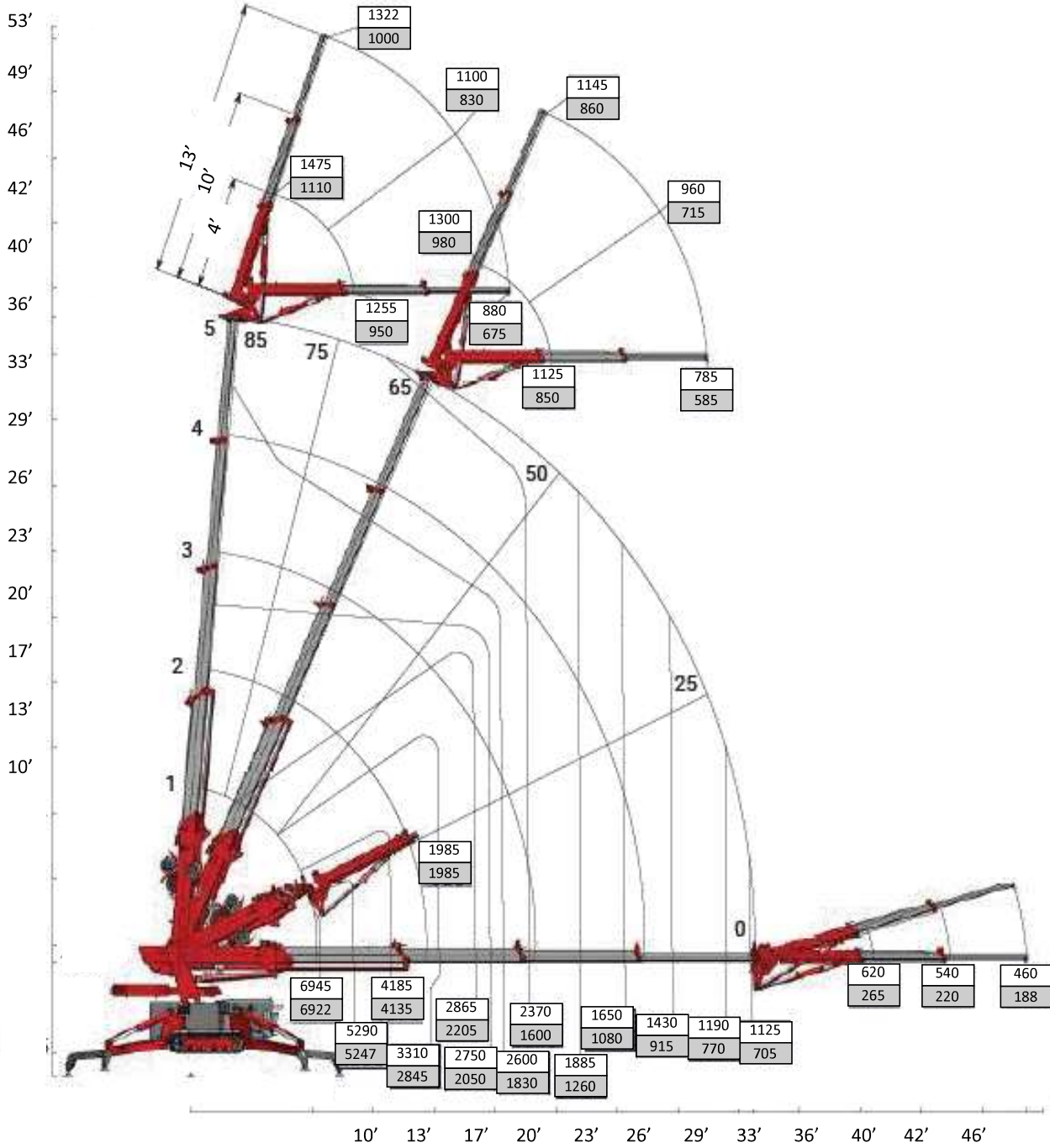
Infinite rotational positions 0° to 90°

Outriggers telescopic beam

Multiple positions, pinned or hydraulic



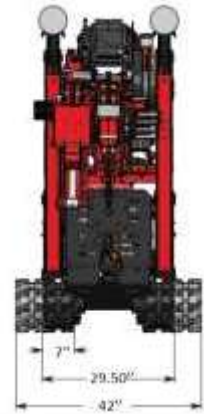
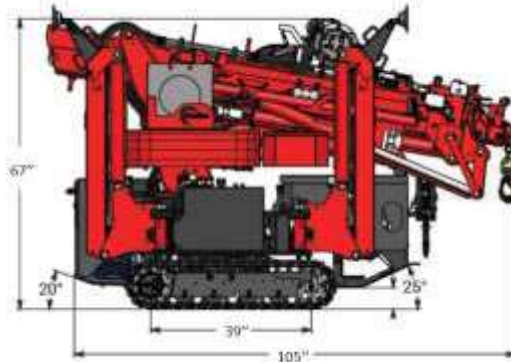
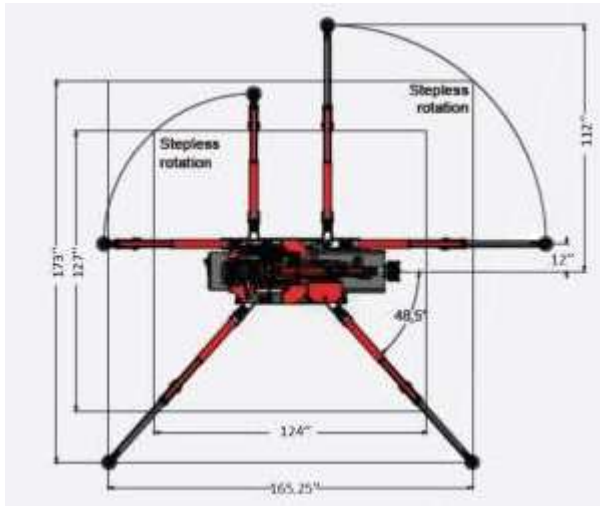
C6 load chart



C6

xxxx	CAPACITY WITH OUTRIGGERS EXTENDED
xxxx	CAPACITY WITH OUTRIGGERS RETRACTED

C6 set-up and dimensions



C6 Features and options

- ✓ Pick and Carry without outriggers
- ✓ Extra long carriage
- ✓ Wireless remote for boom, outriggers and drive
- ✓ LCD display on remote control for live chassis angle, boom and jib angle, height + reach, load
- ✓ Glow plugs and winter start package
- ✓ Pick and Carry capability with longer carriage
- ✓ Searcher hook
- ✓ Full hydraulic telescopic jib 3 booms
- ✓ Manual jib 36" x 30° adjustable
- ✓ Continuous slewing turret
- ✓ Hydraulic winch 2200lbs/4400lbs/ 8800lbs
- ✓ Telescopic outriggers
- ✓ Telescopic outriggers Full hydraulic
- ✓ Curved Outriggers end-tips
- ✓ Swing Out outriggers, 3 positions 0° / 45° / 90°
- ✓ Swing Out outriggers, with infinite rotation (each 1°)
- ✓ Non-marking tracks
- ✓ Extending tracks
- ✓ Fast Idle automatic
- ✓ Storage boxes
- ✓ Special painting
- ✓ Special electric motor
- ✓ Vacuum lifter with remote control

