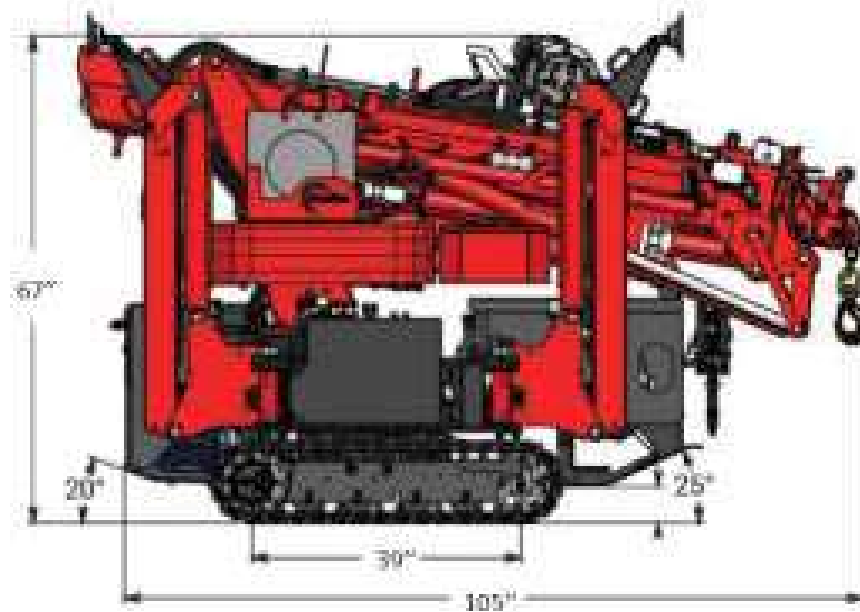
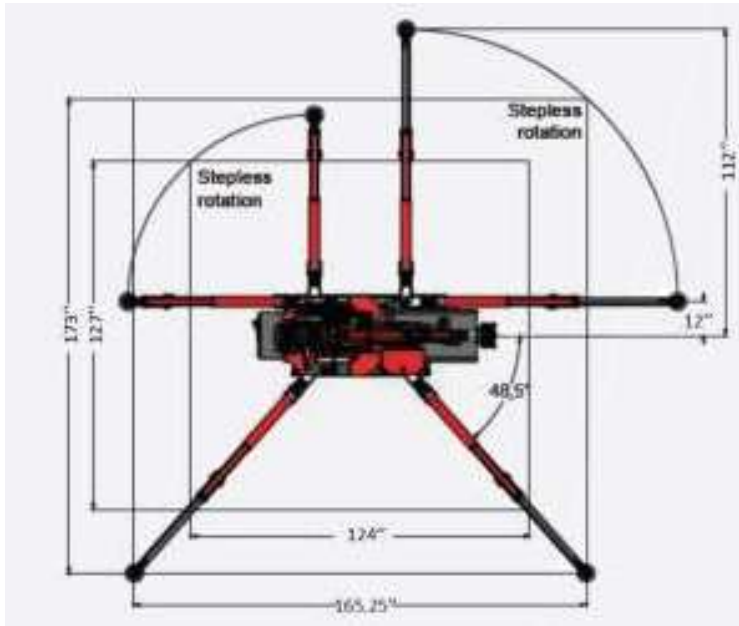




# C10 set-up and dimensions



# C10

**31.5" WIDTH  
8810 LBS CAPACITY  
72' LIFTING HEIGHT**

Max lift height with hydraulic telescopic Jib	72'
Max lift height without jib	53'
Max capacity	8810 lbs @ 6' radius 6380 lbs @ 10' radius 3740 lbs @ 20' radius 2200 lbs @ 30' radius
Horizontal outreach	without jib 1100 lbs @ 45' out with jib 465 lbs @ 65' out
Available configurations	Yanmar diesel water cooled Add-on 4 hp electric motor
Minimum size in travel position	31.5"w x 151"l x 78"h
Maximum width with extended carriage	43"
Travel speed	Infinite proportional remote + 2 speed. 1,88 MPH
Operational weight without jib	8696 lbs
Operational weight with jib	10358 lbs
Counterweight	Variable deployment upon load + self unloading
Maximal footprint on outriggers	180" x 180"
Minimal footprint on outriggers	36" x 184"
Outriggers set-up possibilities	
With "infinite positioning"	7200 Possibilities
With standard outriggers	80 Possibilities
Outriggers set up standard	5 positions each: 0° to 90°
Outriggers set up optional	Infinite rotational positions 0° to 90°
Outriggers telescopic beam	Multiple positions, pinned

